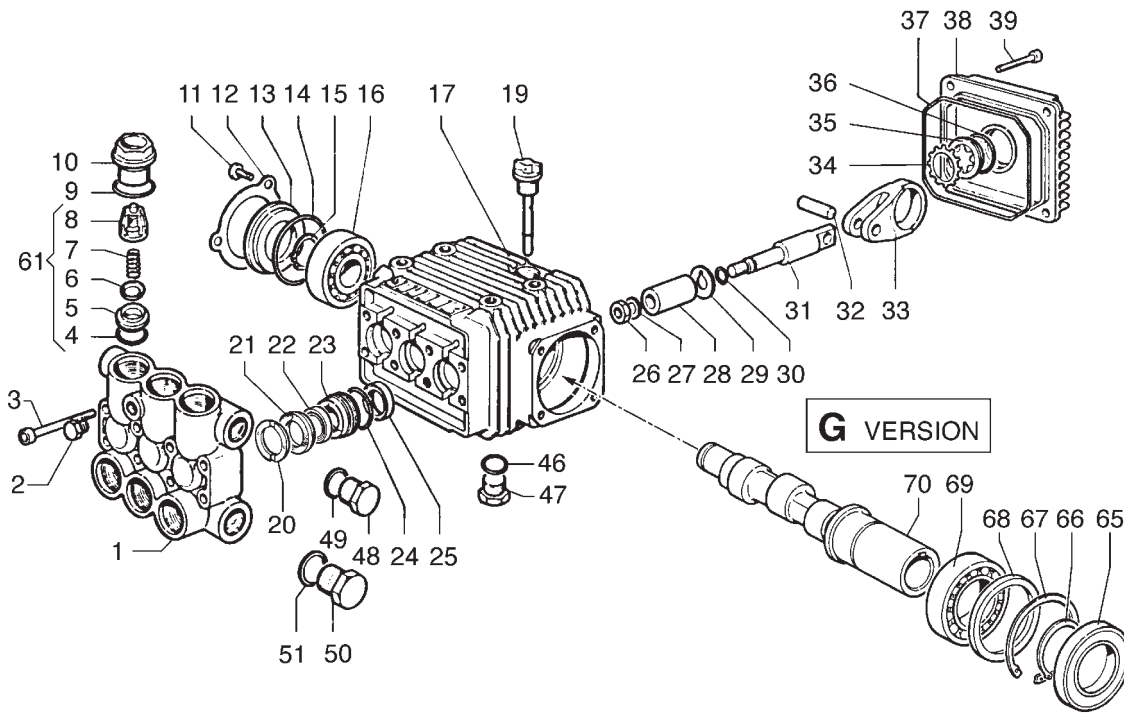


# • YA30 - Atasa VERSION - 3400 RPM •



**Modelli / Model**

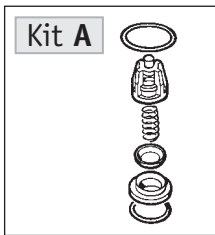
3020 G - code 6303 1500

N°	Cod.	Kit	Description	Qty	Note
1	3218 0106		MANIFOLD Ø 15 mm ALUM.	1	
2	3202 0018		CAP G1/8	1	
3	3609 0108		SCREW M6x55	8	
4	1210 0046	A-D	O-RING 2,62x17,13 mm	6	
5	3009 0087	A	VALVE SEAT	6	
6	3604 0017	A	VALVE PLATE	6	
7	1802 0177	A	SPRING	6	
8	1205 0025	A	VALVE GUIDE	6	
9	1210 0048	A-D	O-RING 2,62x20,24 mm	6	
10	3202 0267		CAP	6	
11	3609 0088		SCREW M5x10	3	
12	1004 0012		CRANKCASE COVER	1	
13	0402 0172		SPACER	1	
14	1210 0386	D	O-RING 3,53x44,04 mm	1	
15	3019 0011		SNAP RING	1	
17	0403 0128		CRANKCASE	1	
19	3200 0051		OIL DIPSTICK	1	
20	0009 0196	B	HEAD RING Ø15 mm	3	
21	1241 0034	B	PACKING Ø15 mm	3	
22	1241 0030	B	PACKING 15x22x5,5 mm	3	
23	0009 0198		PACKING RETAINER Ø15 mm	3	
24	1210 0223	B-D	O-RING 1,78x26,7 mm	3	
25	0019 0095	D	OIL SEAL 15x24x5 mm	3	
26	0600 0048	C	NUT	3	
27	2811 0080	C	WASHER 8,2x14x1,5 mm	3	

N°	Cod.	Kit	Description	Qty	Note
28	0202 0020	C	PISTON Ø15 mm	3	
29	2812 0038	C	WASHER	3	
30	1210 0055	C-D	O-RING 1,78x6,07 mm	3	
31	2409 0044		PISTON GUIDES	3	
32	3011 0014		WRIST. PIN	3	
33	0205 0048		CON. ROD	3	
34	3019 0033		SNAP RING Ø18 mm	1	
35	3201 0010		OIL INDICATOR	1	
36	1210 0333	D	O-RING 1,78x23,52 mm	1	
37	1210 0206	D	O-RING 2,62x101,27 mm	1	
38	0402 0142		CRANKCASE COVER	1	
39	3609 0041		SCREW M6x25	4	
46	1210 0441	D	O-RING 2x14 mm	1	
47	3200 0007		CAP 3/8GAS OT58	1	
48	3200 0007		CAP 3/8GAS OT58	1	
49	2811 0084		WASHER 16,7x22x1,5 mm	1	
50	3202 0015		CAP G1/2	1	
51	2811 0086		WASHER 21,2x27x1,5 mm	1	
61	1220 0030		VALVE ASS. BLY.	6	
65	0019 0075	D	OIL SEAL 35x62x7 mm	1	
66	3019 0004		SNAP RING C72	1	
67	3020 0012		SNAP RING C72	1	
68	2812 0064		WASHER	1	
69	0438 0015		BALL BEARING 35x62x14 mm	1	
70	0001 0342		CRANKSHAFT Ø24	1	

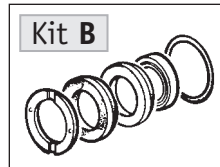
# • YA30 - Atasa VERSION - 3400 RPM •

## Kit Valvola Aspirazione/Mandata (5025 0011) Complete Valve Kit



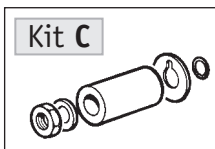
5025 0011		
N°	Cod.	Qty
4	1210 0046	6
5	3009 0087	6
6	3604 0017	6
7	1802 0177	6
8	1205 0025	6
9	1210 0048	6

## Kit Guarnizioni Pistoni Ø15 mm (5019 0035) Ø15 mm Piston Seal Kit



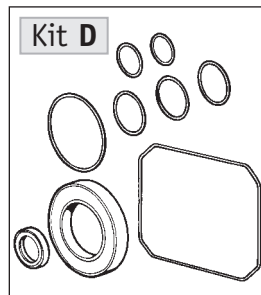
5019 0035		
N°	Cod.	Qty
20	0009 0196	3
21	1241 0034	3
22	1241 0030	3
24	1210 0223	3

## Kit Pistone Ø15 mm • Ø15 mm Piston Kit (2409 0071)



2409 0071		
N°	Cod.	Qty
27	0600 0048	3
28	2811 0080	3
29	0202 0020	3
30	2812 0038	3
31	1210 0055	3

## Kit Guarnizioni Pompa • Albero Femmina (5019 0041) Seal Kit • Hollow Shaft



5019 0041		
N°	Cod.	Qty
4	1210 0046	6
9	1210 0048	6
14	1210 0386	1
24	1210 0223	3
25	0019 0095	3
30	1210 0055	3
36	1210 0333	1
37	1210 0206	1
46	1210 0441	1
65	0019 0075	1

5019 0041		
N°	Cod.	Qty
4	1210 0046	6
9	1210 0048	6
14	1210 0386	1
24	1210 0223	3
25	0019 0095	3
30	1210 0055	3
36	1210 0333	1
37	1210 0206	1
46	1210 0441	1
65	0019 0075	1